



Specifier's Reference

Project
Type
Model No.
Comments

codes and standards

- UL listed to standard 924.
- UL listed damp and wet location listed -40°F (-40°C) to 113°F (45°C)
- NFPA 101 (Life Safety Code)
- NFPA 70 (National Electric Code)
- BOCA, OSHA AND IBC illumination standards
- NEMA Premium certified
- Meets ADA specifications for wall mounted lighting fixtures
- IEC 61951-1 Life Testing (batteries)
- Certified to the California Energy Commission in accordance with CA law

construction

- Housing constructed of a combination of heavy-duty die cast aluminum and injection molded polycarbonate.
- A groove molded into each cover accepts a full perimeter silicon rubber gasket.
- Housing is powder coated in white, black, or gray.
- Single face units back cover is molded in color to match housing and front cover is clear.
- Universal models consist of two faces, backplate and canopy.
- The stencil is provided with field selectable chevrons and is contained inside the fully gasketed housing.
- All exposed hardware is both vandal resistant and anti-corrosion coated.
- Diecast aluminum canopy is powder coated to match housing.
- Dual function indicator light is located on the face of the unit to signify that AC utility is present, as well as indicating the charge status.

installation

- Exit can be installed via top and end canopy mount and back wall mount.
- All mounting configurations employ neoprene gaskets between exit housing, canopy and mounting surface.
- The exit is designed to mount to standard 3-1/2" and 4" octagonal junctions boxes.
- Provisions in the cast frame allow for up to two 1/2" flex or rigid conduit.

electronics

- 120/277 VAC dual voltage input.
- Surge protection is standard on all models.

- Charging system is complete with low voltage disconnect, AC lockout, brownout protection.
- The brownout protection circuitry will automatically switch the unit into emergency mode if the utility voltage drops below 85% or nominal.
- The electronics diagnostic/charging platform with self-testing mode automatically runs a one minute self-test every 30 days and a 30 minute on the sixth and twelfth month. A one minute or 90 minute test may be initiated via the push to test switch on the unit or by activating the appropriate test command on the option IR test device
- Fault condition status of self-test, number of RED flashes:
 - 1 X – Battery Fault
 - 2 X – Lamp Failure
 - 3 X – Charger Fault
 - 4 X – Transfer Fault
- Both RED and GREEN LED'S fast toggle – AC line over voltage.
- Both RED and GREEN LED's slow toggle – AC line under voltage.
- Power Consumption
 - AC Only: Red = 3.8 Watts, Green = 4.0 Watts
 - Emergency Only: Red = 4.8 Watts, Green = 4.7 Watts

lamps

- Illumination of the exit stencil face is accomplished with long lasting, high output LED's.
- Hot spots and striations are eliminated by the internal light chamber, which is specially designed around the high performance LED array.
- Average illumination levels are in excess of 25fl (79 cd/m2).

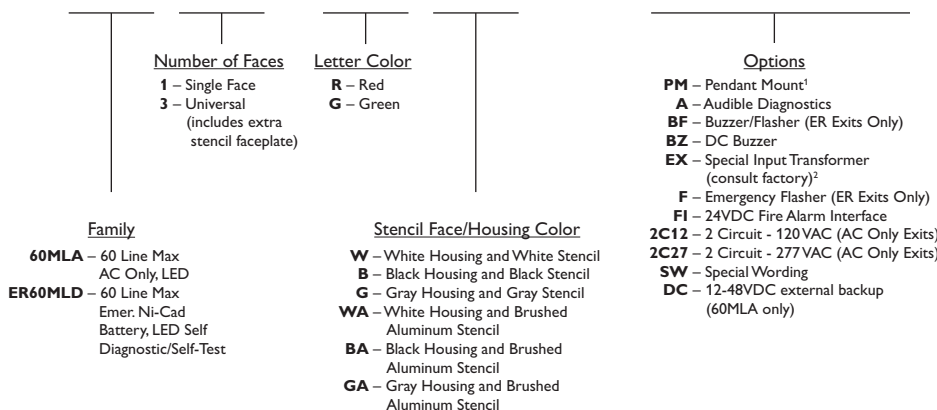
battery

- Maintenance free, sealed nickel cadmium battery.
- Operating temperature range of -40°F (-40°C) to 113°F (45°C).
- Expected service life of 10 years.
- Standard sustained emergency operation is for 120 minutes with the LED illumination source providing full light output.
- Provides 90 minutes of emergency illumination.

warranty

- Five year warranty on exit.

Green Product Choice: ER60MLD3RW



Accessories

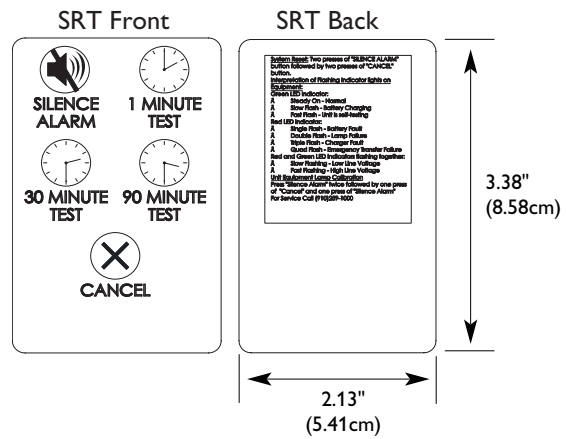
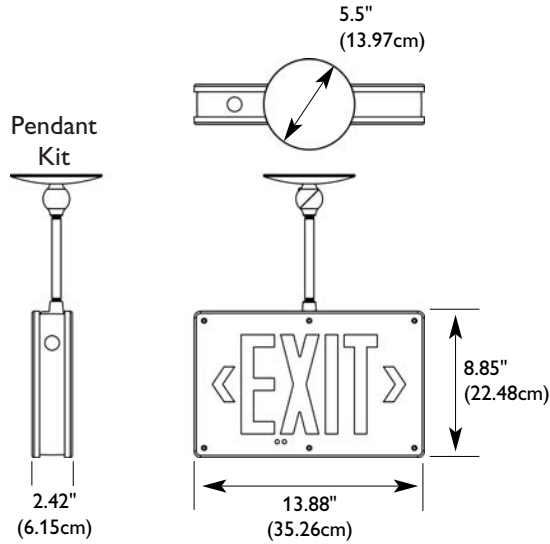
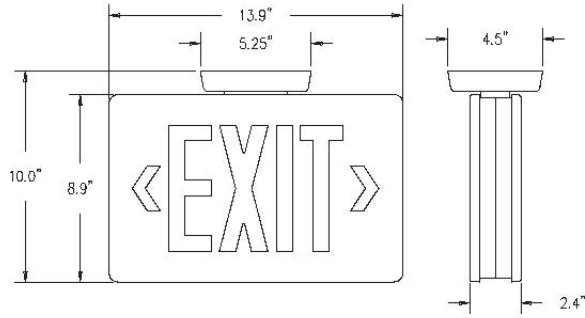
- T15TPTOOL – Tamperproof Tool
- 60PA12W – Pendant Assembly 12" Stem, White
- 60PA12B – Pendant Assembly 12" Stem, Black
- WG4 – Wire Guard
- SRT – Self-Test Infra-Red Remote Tester

Footnotes:

- ¹ Requires pendant assembly, order separately.
- ² Some options may impact UL listing. Consult factory for specifics.



dimensions



©2015 Koninklijke Philips N.V. All rights reserved. Philips reserves the right to make changes in specifications and/or to discontinue any product at any time without notice or obligation and will not be liable for any consequences resulting from the use of this publication.
philips.com/luminaires

Philips Lighting
 North America Corporation
 200 Franklin Square Drive
 Somerset, NJ 08873
 Tel. 855-486-2216

Imported by: Philips Lighting
 A division of Philips Electronics Ltd.
 281 Hillmount Rd,
 Markham, ON Canada L6C 2S3
 Tel. 800-668-9008